

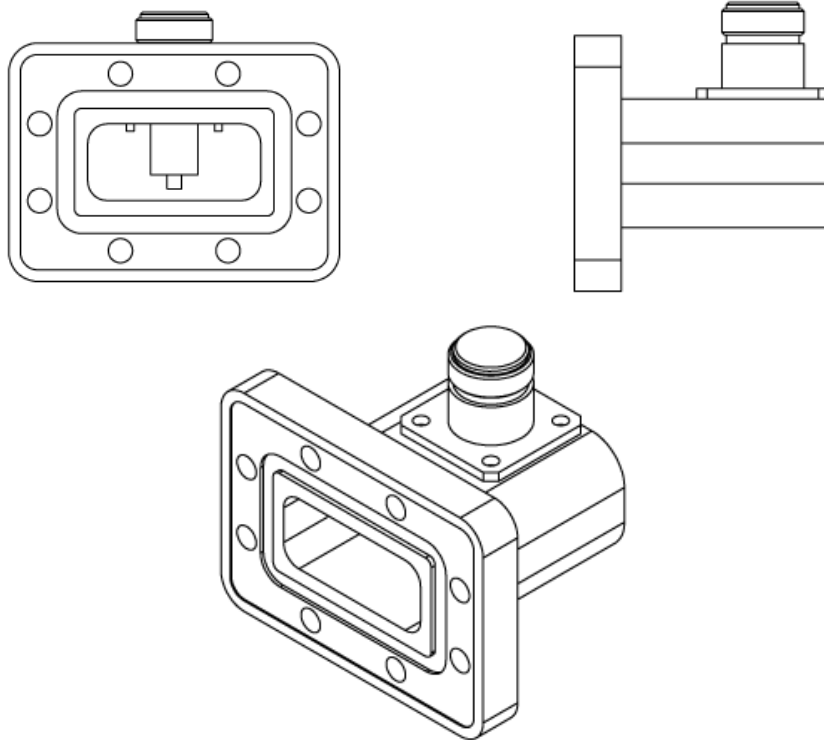


Model Number:
WGAPTX-197149-XXXX

RF Components

Ku-Band Waveguide Adaptor

12.40-18.00 GHz



Specification		
Waveguide Size	WG18/ WR62 / R140	
Frequency	12.40-18.00GHz	
Material	Brass / Aluminium	
Coaxial Connector (Female)	N-type 50 ohm	SMA 50 ohm
VSWR / Return Loss	1.2:1 / 20.44 dB	1.1:1 / 25.6 dB
Waveguide Flanges	UG 541A/U (UG) / UG 419/U (UF) PDR 140 (PD) / UDR 140 (UD) CBR 140 (CB) / PBR 140 (PB) UBR 140 (UB) / UG 419/U (US)	
Finish	Black	

Model Numbers Example WGAPTB-197146-CGN5				
WGAPT	B	197146	CG	N5
Waveguide Adaptor	A—Aluminium B— Brass	Model Number	Waveguide Flange	Coax Connector

Broadcast



Marine Oil & Gas



SNG & VSAT



Satellite Teleport

